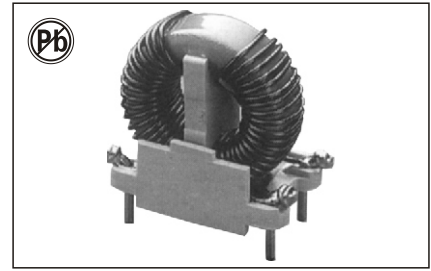


## THROUGH-HOLE TOROIDAL COMMON MODE CHOKES

# FWCMT4525/5230 SERIES



### FEATURES:

- 0.3A to 10A ratings
- 0.7mH to 100mH dual chokes
- Excellent Mechanical Strength
- 100KHz to 3MHz common mode resonance
- High Reliability and variant PCB-mount housing
- Low resistance and temperature rise

### OPTIONS:

- Bulk packaging is standard
- Custom design available

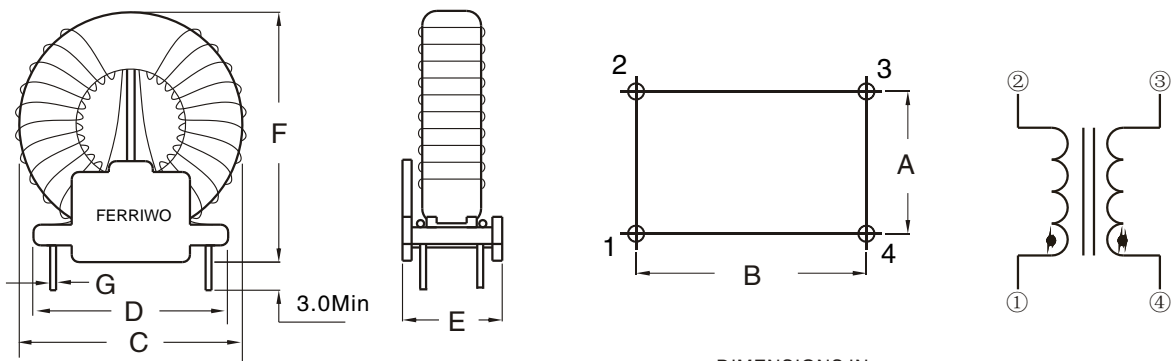
### COMMON APPLICATIONS:

- DC/DC, AC/DC line noise suppression
- Communication System
- Automotive Systems
- LCD/PDPTelevisions
- Computer Peripheral Equipment It accord with the standards of FCC VCCI CISPR FTZ,etc, eliminating of electromagnetic noise of power and signal circuit.

### ELECTRICAL CHARACTERISTICS:

Part Number	Inductance (mH Min.)	RATED RMS Current Amps	DCR each winding (Ohms Max)	Leakage (uH)Type
FWCMT4525-563Y	56.0	1.8	1.000	550
FWCMT4525-333Y	33.0	2.0	0.730	300
FWCMT4525-223Y	22.0	3.2	0.352	280
FWCMT4525-153Y	15.0	4.2	0.132	150
FWCMT4525-123Y	12.0	6.8	0.098	95
FWCMT4525-502Y	5.0	12.0	0.035	50
FWCMT4525-302Y	3.0	15.0	0.009	20
FWCMT5230-124Y	120.0	1.5	1.15	900
FWCMT5230-723Y	72.0	2.6	0.50	600
FWCMT5230-333Y	33.0	4.2	0.124	450
FWCMT5230-223Y	22.0	6.0	0.117	180
FWCMT5230-153Y	15.0	9.0	0.06	180
FWCMT5230-103Y	10.0	15.0	0.033	120
FWCMT5230-602Y	6.0	18	0.028	100

### TECHNICAL INFORMATION & PHYSICAL CHARACTERISTICS:



DIMENSIONS IN:mm

- Inductance tolerance in +50% -30%
  - Max operating voltage:250V at 40°C
  - IDC Max: rating AC/DC current A @40°C
  - Hi-Pot 2500Vac winding to winding 3S.
  - Inductance Testing: 10KHz 0.1V HP4284A
  - RDC:QuadTech 1880 Milliohmeter
  - Surge current Max 10ms: 20X IDC
  - Operating temperature: -40°C to +105°C
  - Storage Temperature: -40°C to +105°C
  - Resistance to soldering heat:260°C for 10 seconds
  - Marking: Part number and date code
- Note:All specifications subject to change without notice.

Part Number	A	B	C	D	E	F	G
FWCMT4525	17.8	30.5	44.450	35.56	25.4	44.7	1.2
FWCMT5230	22.9	38.1	52.070	43.18	30.48	58.0	1.2